



HD-39343

Toilet Partition Installation Manual

PHONE: 803-252-3020

FAX: 803-256-7769

ATTENTION

DO NOT MIX
FASTENER PACKS

**EACH FASTENER PACK HAS THE NECESSARY
BOLTS, BARRELS AND SCREWS TO INSTALL
THE RESPECTIVE PANEL, PILASTER OR DOOR.**




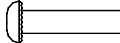


**TORX HEAD BITS ARE PACKED IN THE EXTRA
FASTENER PACKS.**

TABLE OF CONTENTS

<u>STEP</u>		<u>PAGE</u>
1	TOOLS REQUIRED	4
2	GETTING STARTED.....	5
3	MARK THE PARTITION LAYOUT.....	6
4	INSTALL THE PANELS.....	8
5	INSTALL THE WALL PILASTER	10
5A	USING Z-BAR ANCHORING SYSTEM.....	10
5B	USING STANDARD LEVELING DEVICE.....	12
5C	USING POLY SHOES.....	14
6	INSTALL THE PILASTERS	16
8	ATTACH THE DOORS.....	20
9	ATTACH THE DOOR HARDWARE.....	21
10	ADJUSTABLE ALUMINUM PILASTERS	23
11	BOLT AND BARREL SIZES.....	25

1 TOOLS REQUIRED

- TAPE MEASURE
- 4 FOOT LEVEL
- RATCHET TYPE BIT DRIVER (torx head bits supplied)
- FLAT HEAD SCREWDRIVER
- PHILLIPS HEAD SCREWDRIVER
- 1 WAY SCREWDRIVER
- TWO 9/16" OPEN END WRENCHES
- HAMMER
- TWO 14" BLOCKS
- DRILL
- ROTARY HAMMER DRILL
- HACKSAW
- 5/16" CARBIDE TIPPED HAMMER DRILL BIT
- 5/8" CARBIDE TIPPED HAMMER DRILL BIT
- 1/4" HIGH SPEED STEEL DRILL BITS
- 1/8" HIGH SPEED STEEL DRILL BITS
- CHALK BOX

FA-901	3/4" BOLT	
FA-110	1-1/2" BOLT	
FA-806	3/4" SCREW	
FA-952	15/16" BARREL	
FA-808	2" SCREW	
FA-400	PLASTIC ANCHOR	
FIGURE 11 FASTENER DETAIL		

2 GETTING STARTED

- 2.1 Find the packing list in the box marked “Packing List”
- 2.2 Check delivered materials and make sure no parts are damaged or missing.
- 2.3 Check dimensions in each bathroom against the shop drawings marked “For Field Use”. Make notes of differences.
- 2.4 Clear bathrooms to provide workroom.

Thank you for choosing partitions from Partition Systems Inc. of South Carolina. We appreciate your business. At Partition Systems, we strive to provide the industry’s best partitions with comprehensive installation guides.

If you need assistance, have questions or comments; contact our customer service department at:

Customer Service
Partition Systems Inc. of South Carolina

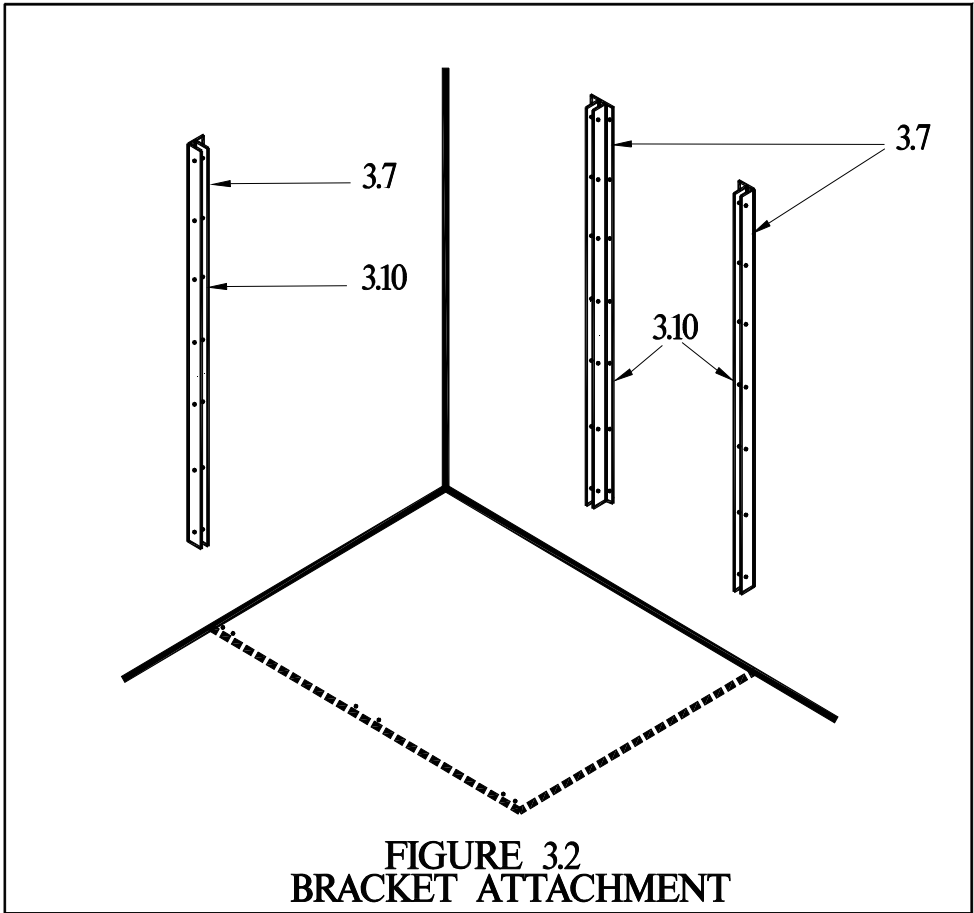
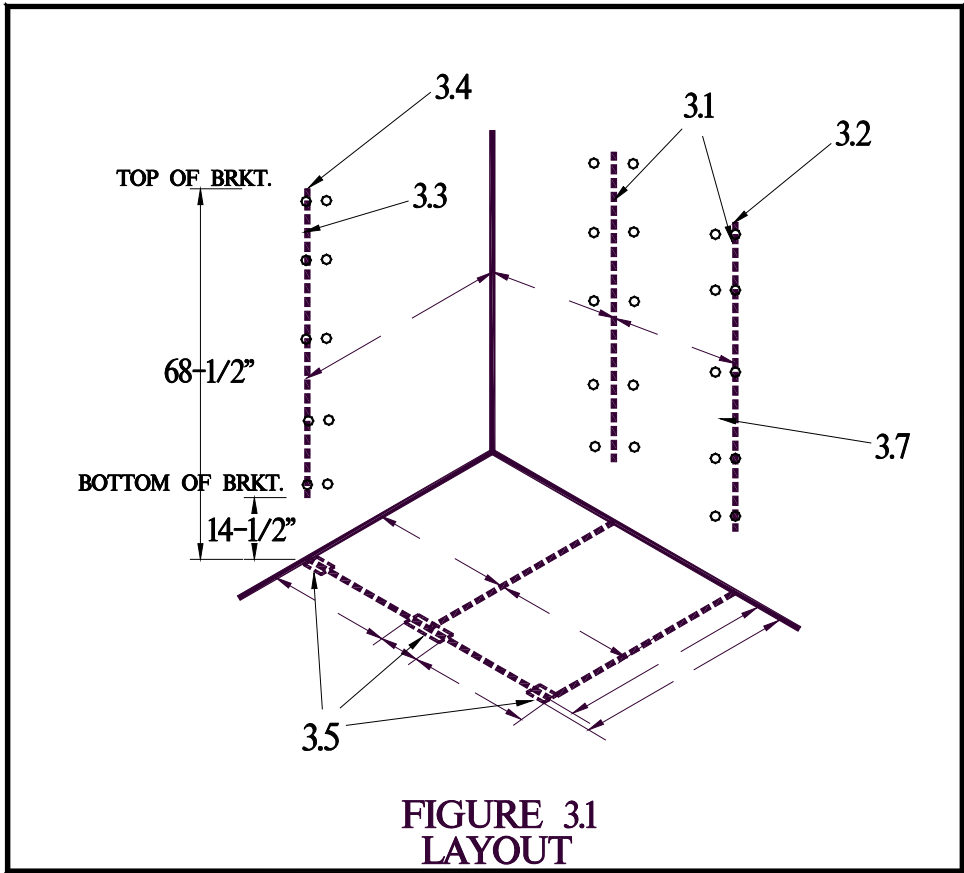
PO Box 181, Columbia, SC 29202

(803) 252-3020, Fax: (803) 252-6030

customer.service@psisc.com

3 MARK THE PARTITION LAYOUT

- 3.1 Establish and mark the center of the panels across the back wall according to shop drawings. For end-panels mark the inner edge of the panel. (See fig.3.1)
- 3.2 Establish and mark the panel-bracket tops on the back wall 68-1/2" from the finished floor for 54" brackets.
- 3.3 Establish and mark the wall-pilaster location on the side wall according to shop drawings. (See fig.3.1)
- 3.4 Establish and mark the pilaster-bracket top on the side wall 68-1/2" from the finished floor for 54" brackets.
- 3.5 Establish and mark the outer edges of each pilaster from the back and side walls according to shop drawings. (See fig.3.1)
- 3.6 Mark and drill holes for the floor fasteners.
 - 3.6.1 For "z" bar anchoring, mark 5/8" in from the end of the pilaster(s), centered from front to back. Drill a 2" deep hole in the floor with a 5/8" bit.
 - 3.6.2 For standard leveling device place the shoe on the floor centered between the outer edges of the pilaster. Using the shoe as a template, mark the holes. Drill a 2" deep hole in the floor with a 5/16" bit. (See fig.5-B.2 or fig.5-C.1)
- 3.7 Mark wall bracket mounting holes using the brackets as a template. Center and level the brackets before marking (See fig.3.1). End-panels and pilasters use only one bracket on the inside of the stall for installation.
- 3.8 Drill 5/16" holes for wall brackets.
- 3.9 Insert plastic anchors (FA-400) into holes.
- 3.10 Secure wall and pilaster brackets with 2" stainless steel screws (FA-808). (See fig.3.2)



4 INSTALL THE PANELS

- 4.1 Place a 14" high support in position to hold up the panels.
(see fig. 4.1)
- 4.2 Set the panel on the support and slide the panel into the wall brackets until the bottom is ½" from the wall.
- 4.3 Drill the bottom bracket hole through the panel with a ¼" drill bit and secure with a ¾" bolt (FA-901) and a 15/16" barrel (FA-952).
- 4.4 Level the top of panel.
- 4.5 Drill the top bracket hole with a ¼" drill bit and secure with a ¾" bolt (FA-901) and a 15/16" barrel (FA-952).
- 4.6 Drill the remaining bracket holes with a ¼" drill bit and secure with a ¾" bolts (FA-901) and a 15/16" barrels (FA-952).
- 4.7 Repeat steps 4.1 through 4.5 for each panel.

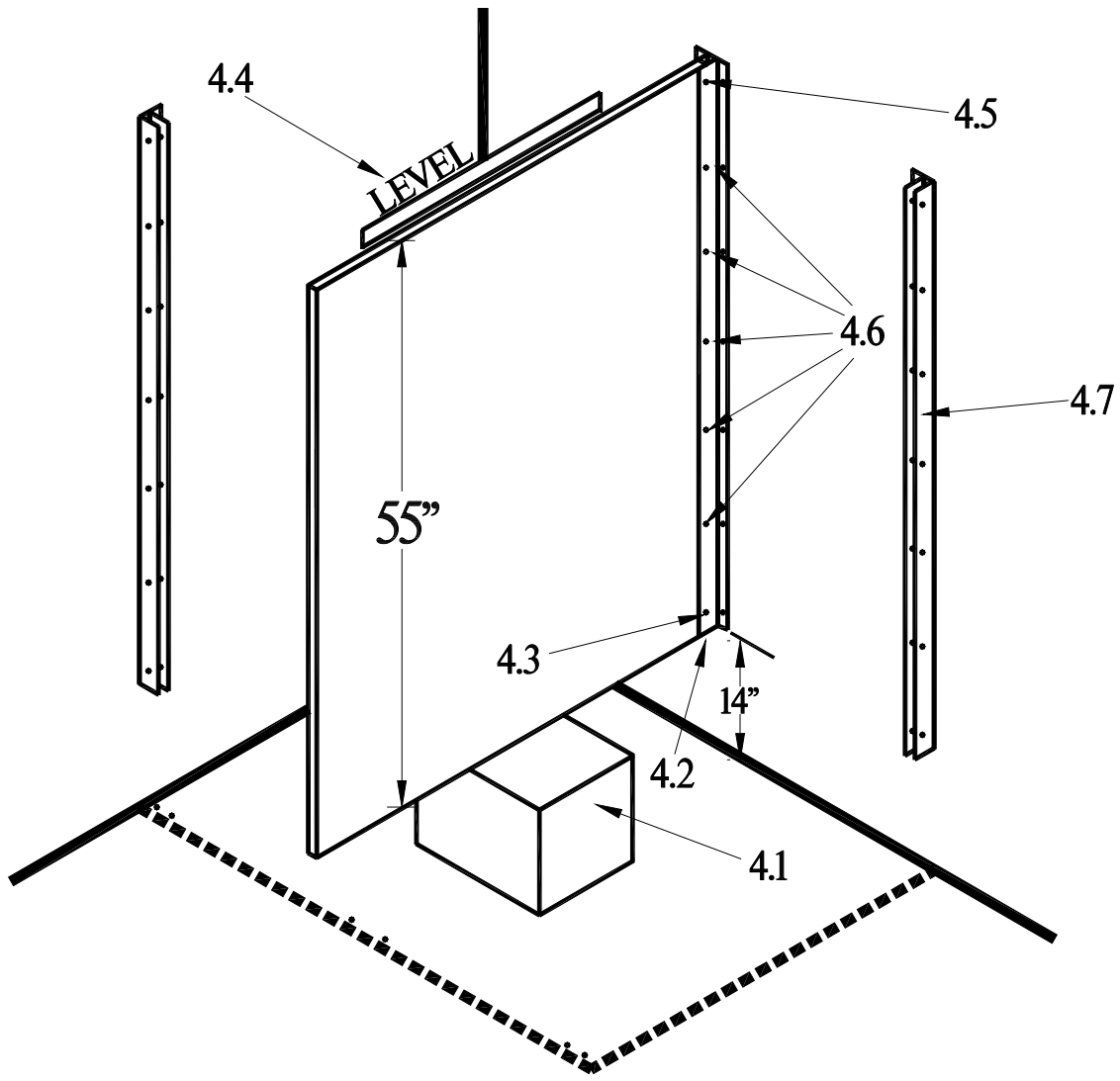
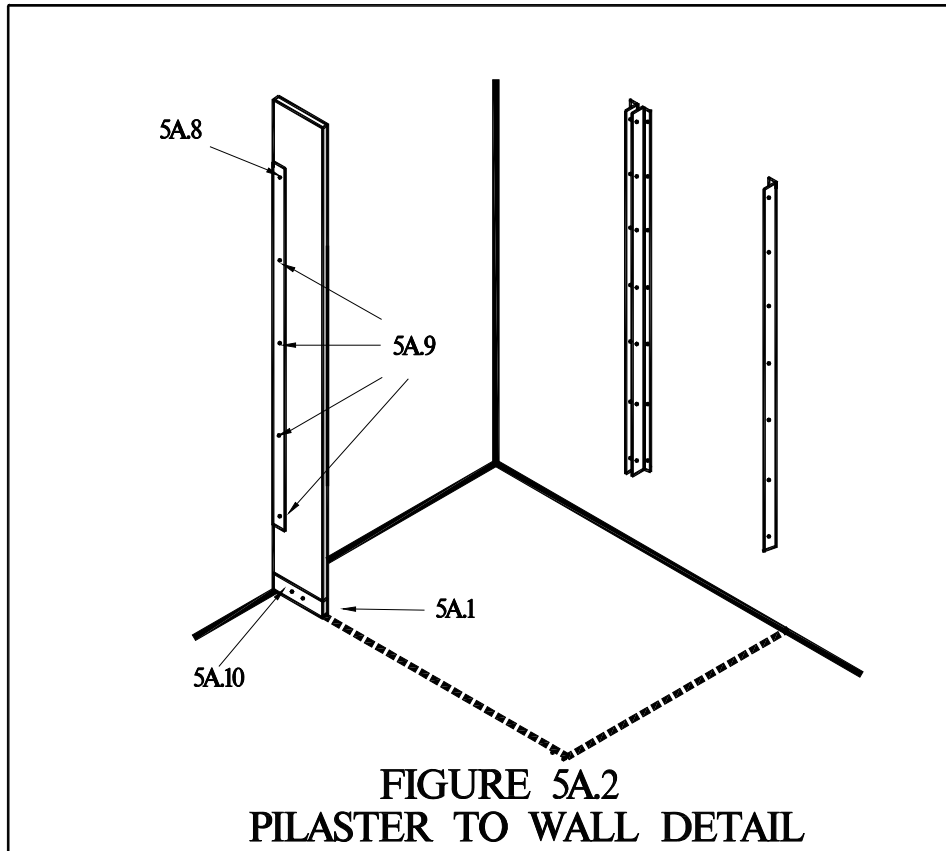
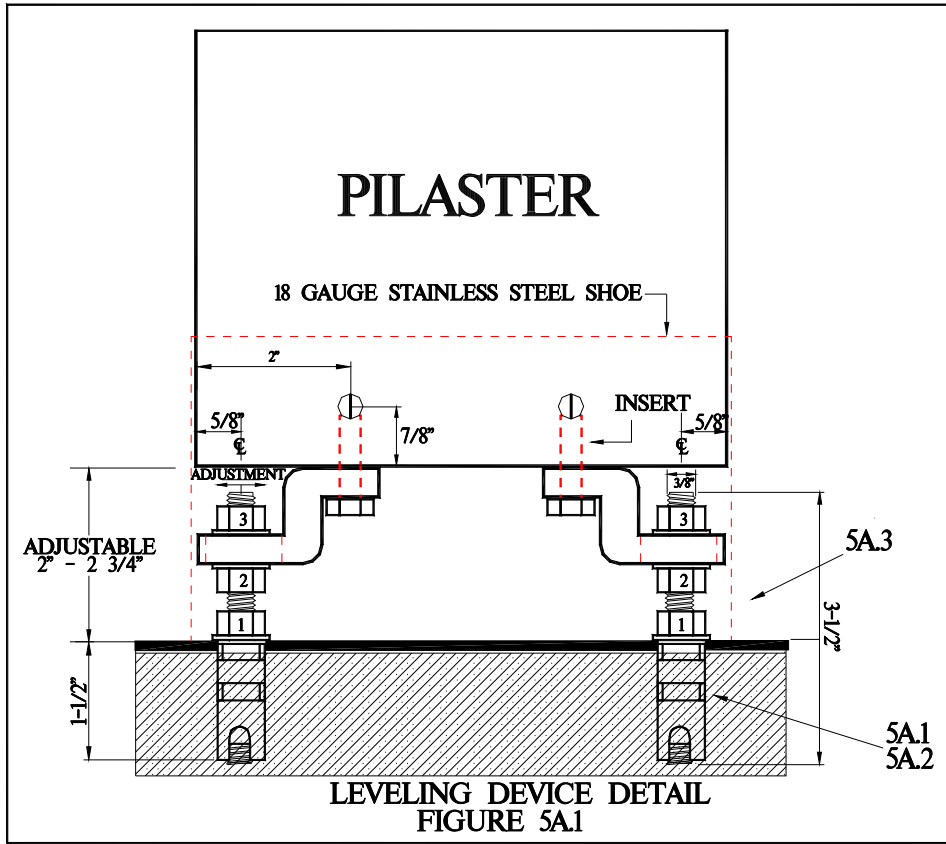


FIGURE 4.1
 PANEL INSTALLATION

5 INSTALL THE WALL PILASTER

5A USING Z-BAR ANCHORING SYSTEM

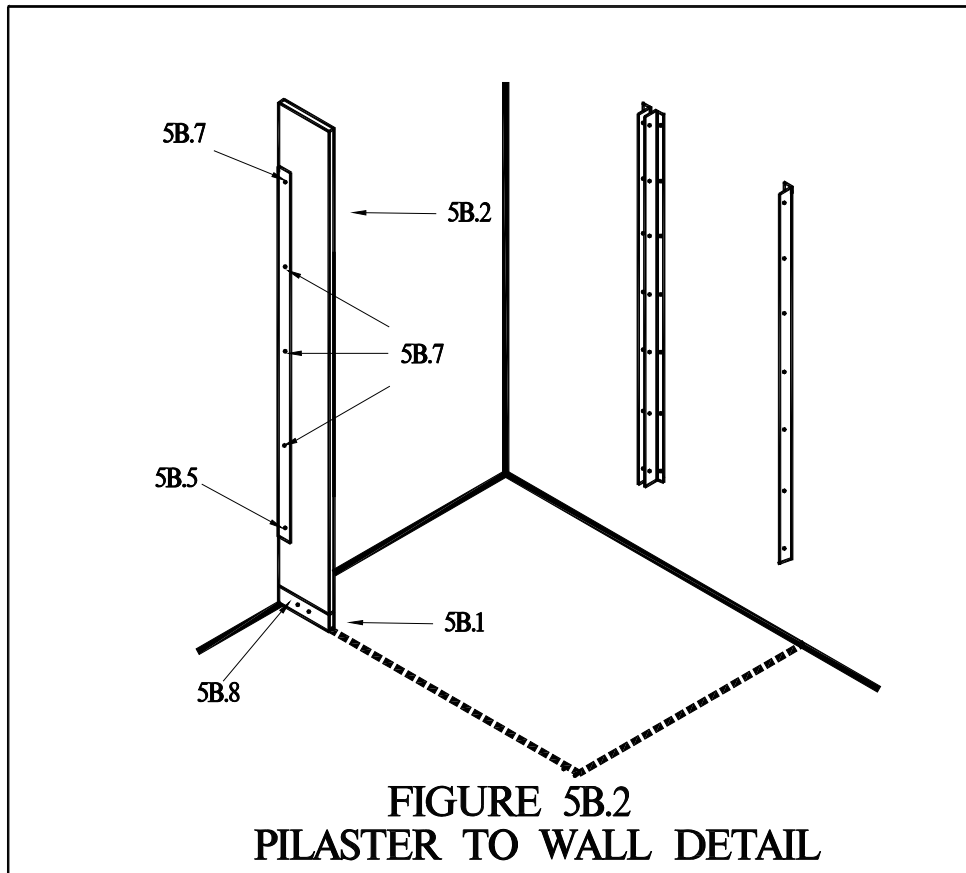
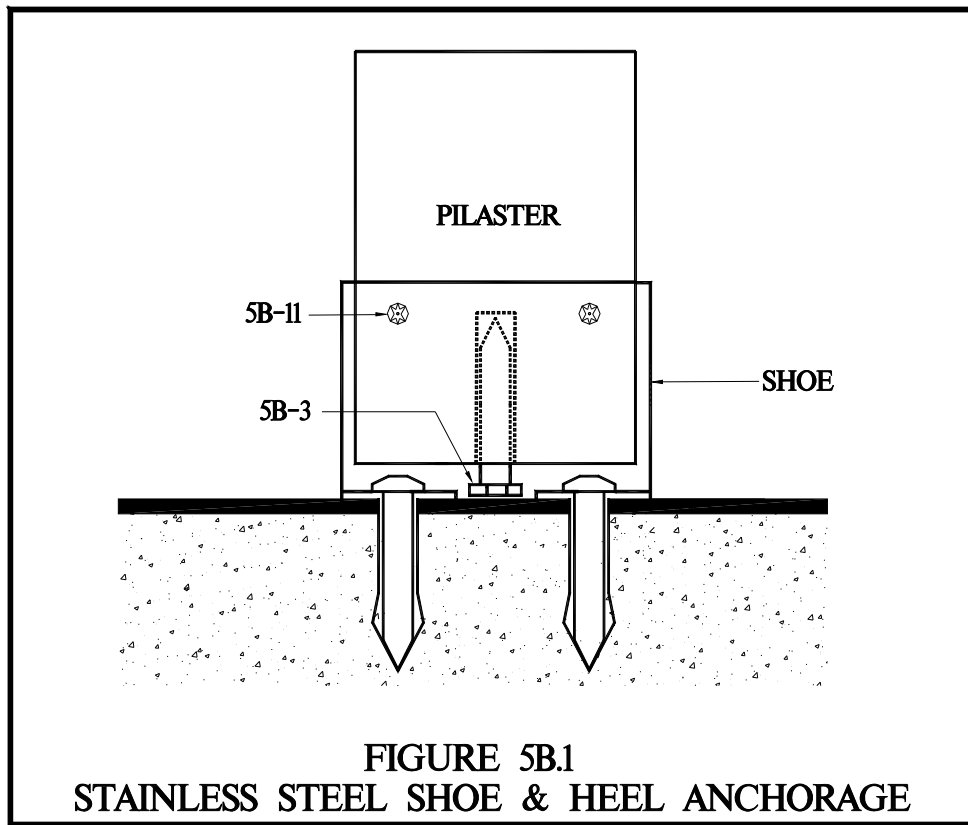
- 5A.1 Place a lead anchor into the floor holes from step 3.6.
- 5A.2 Screw a 3/8" x 3½" threaded rod into the lead anchor. Place a 3/8" flat washer and 3/8" nut onto the rod and tighten with a 9/16" wrench to secure the lead anchor.
- 5A.3 Place a second 3/8" nut and 3/8" flat washer onto the threaded rod. Move the nut half way down the rod. (See figure 5A.1)
- 5A.4 Place the wall-pilaster onto the threaded rod and slide it into the wall mounted pilaster-bracket.
- 5A.5 Adjust the 3/8" nut to raise (lower) the pilaster. (See figure 5A.1)
- 5A.6 Place the pilaster shoe onto the pilaster and place the pilaster onto the threaded rod. Place a third washer and nut onto the threaded rod.
- 5A.7 Set the bottom gap between the wall and the pilaster according to the shop drawings. Tighten the top nut to secure the pilaster.
- 5A.8 Level the pilaster. Drill the top pilaster bracket hole with a ¼" drill bit. Secure with a ¾" bolt (FA-901) and a 15/16" barrel (FA-952).
- 5A.9 Drill the remaining four bracket holes. Secure with bolts and barrels.
- 5A.10 Drill through the shoe and pilaster. Secure with a ¾" bolt (FA-901) and a 15/16" barrel (FA-952).



5 INSTALL THE WALL PILASTER

5B USING STANDARD LEVELING DEVICE

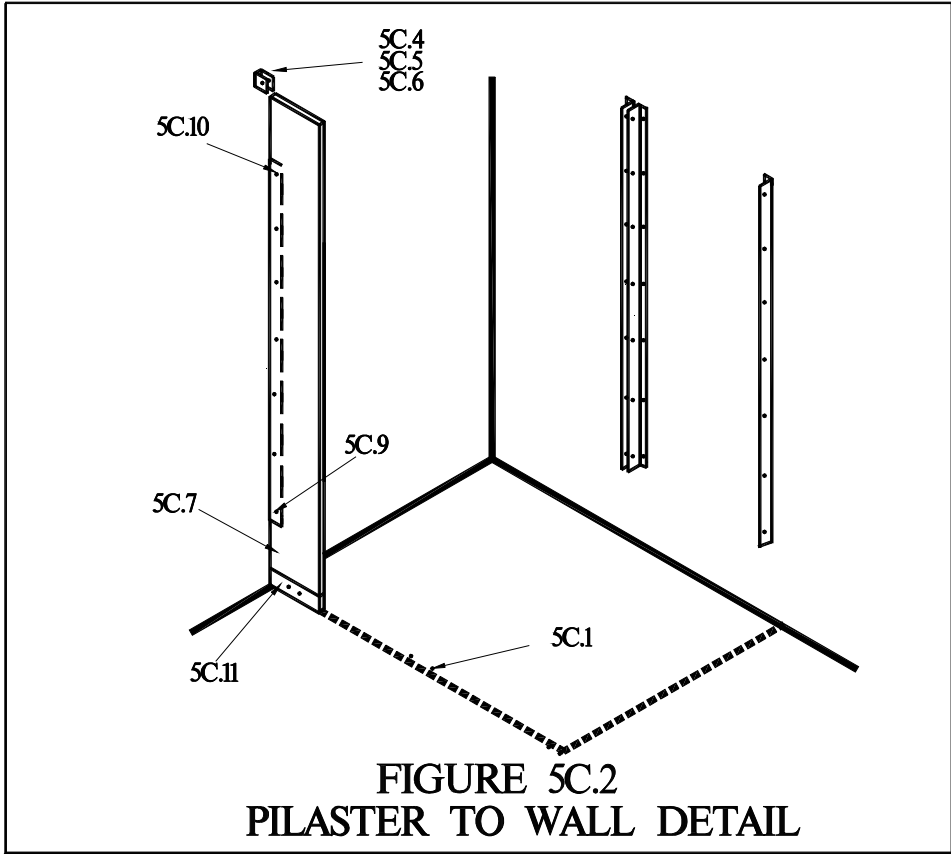
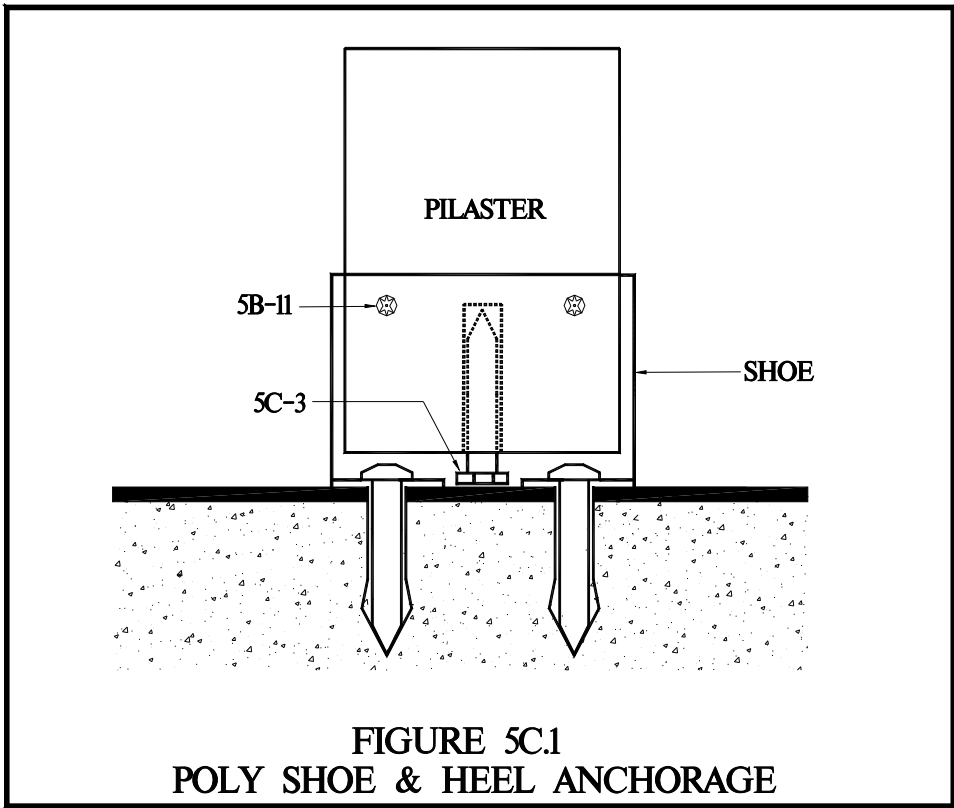
- 5B.1 Mount the shoe to the floor with 2" stainless steel screws. (FA-808). (See figure 5B.1)
- 5B.2 Place the pilaster onto the shoe and slide the wall-pilaster into the wall brackets. (See figure 5B.2)
- 5B.3 Adjust leveling bolt to raise (lower) the pilaster.
- 5B.4 Level the pilaster.
- 5B.5 Drill the bottom bracket hole through the pilaster with a 1/4" drill bit. Secure with a 3/4" bolt (FA-901) and a 15/16" barrel. (FA-952)
- 5B.6 Check level and drill the top bracket hole through the pilaster with a 1/4" drill bit. Secure with a 3/4" bolt (FA-901) and a 15/16" barrel. (FA-952)
- 5B.7 Drill and fill the remaining 3 holes through the bracket and pilaster
- 5B.8 Drill 1/4" hole(s) through the shoe and pilaster. Secure the shoe with 3/4" bolts (FA-901) and 15/16" barrels. (FA-952)



5 INSTALL THE WALL PILASTER

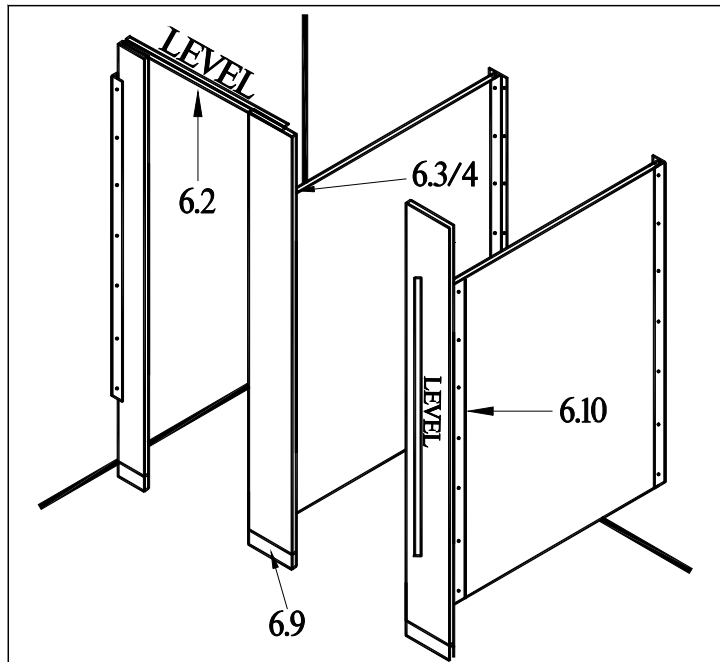
5C USING POLY SHOES

- 5C.1 Mount the shoe to the floor with 2" stainless steel screws (FA-808). (See figure 5C.1)
- 5C.2 Place the pilaster into the shoe and slide the wall-pilaster into the wall brackets. (See figure 5C.2)
- 5C.3 Adjust leveling bolt to raise (lower) the pilaster.
- 5C.4 Slide the pilaster into the shoe. Slide the pilaster into the wall bracket. (See figure 5C.2)
- 5C.5 Set the bottom gap between the wall and the pilaster according to shop drawings.
- 5C.6 Drill the bottom bracket hole through the pilaster with a 1/4" drill bit. Secure with a 3/4" bolt (FA-901) and a 15/16" barrel. (FA-952)
- 5C.7 Check level and drill the top hole through the pilaster with a 1/4" drill bit. Secure with a 3/4" bolt (FA-901) and a 15/16" barrel. (FA-952) Drill remaining holes and secure with same bolts and barrels.
- 5C.8 Drill into the shoe and the pilaster with a 3/16" drill bit. Secure with a 3/4" screw (FA-806).

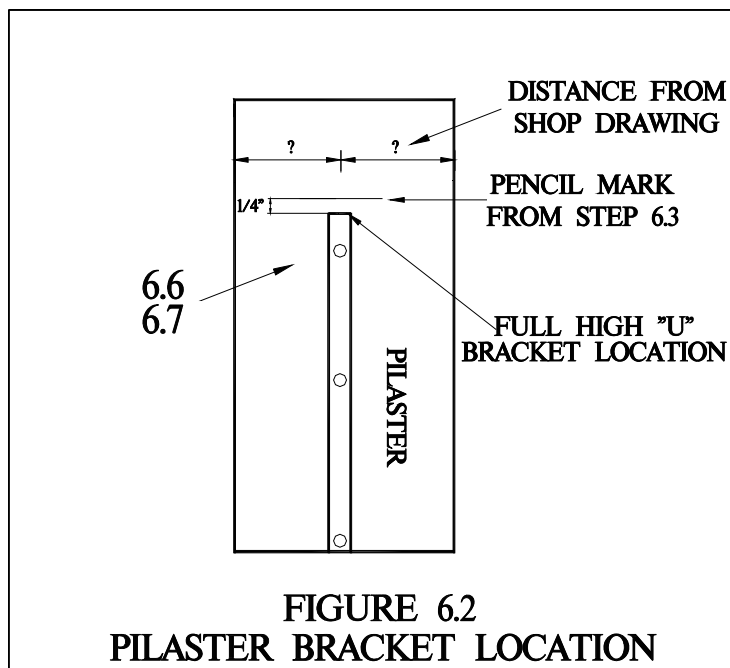


6 INSTALL THE PILASTERS

- 6.1 Prepare the pilaster floor fasteners. For “z” bar anchoring follow steps 5A.1 through 5A.3. For standard leveling device follow step 5B.1.
- 6.2 Place the pilaster onto the leveling rods (or shoe) and level the top of the pilaster with the pilaster at the wall.
- 6.3 Mark the back of the pilaster where the top of the panel joins the pilaster. (see fig 6.1)
- 6.4 Remove the pilaster.
- 6.5 On the back of the pilaster mark the center of the panel according to shop drawings. (See fig 6.2)
- 6.6 Place the pilaster-to-panel bracket onto the pilaster starting $\frac{1}{4}$ ” below the mark made in step 6.3. Mark the mounting holes. (see fig 6.2)
- 6.7 Drill $\frac{3}{16}$ ” holes into the pilaster and secure the pilaster-to-panel bracket with $\frac{3}{4}$ ” screws (FA-806).
- 6.8 Place the shoe onto the pilaster and place the pilaster onto the leveling rods (or shoe). Slide the panel into the bracket.
- 6.9 Secure the pilaster.
 - 6.9.1 For “z” bar anchoring, place a $\frac{3}{8}$ ” washer and nut onto the threaded rods and tighten to secure the pilaster.
 - 6.9.2 For standard leveling device a $\frac{1}{4}$ ” hole through the shoe and the pilaster. Secure with $\frac{3}{4}$ ” bolts (FA-901) and $\frac{15}{16}$ ” barrels (FA-952).
- 6.10 Level the pilaster front and drill through the top panel bracket hole. Secure the panel with a $\frac{3}{4}$ ” bolt (FA-901) and $\frac{15}{16}$ ” barrel. (FA-952). Drill and secure the remaining panel bracket holes.
- 6.11 Repeat steps 6.2 through 6.10 for each pilaster.
- 6.12 For leveling devices secure the shoes. Drill a $\frac{1}{4}$ ” hole through the shoe and pilaster. Secure the shoes with $\frac{3}{4}$ ” bolts (FA-901) and $\frac{15}{16}$ ” barrels. (FA-952)



**FIGURE 6.1
PILASTER TO PANEL ATTACHMENT**



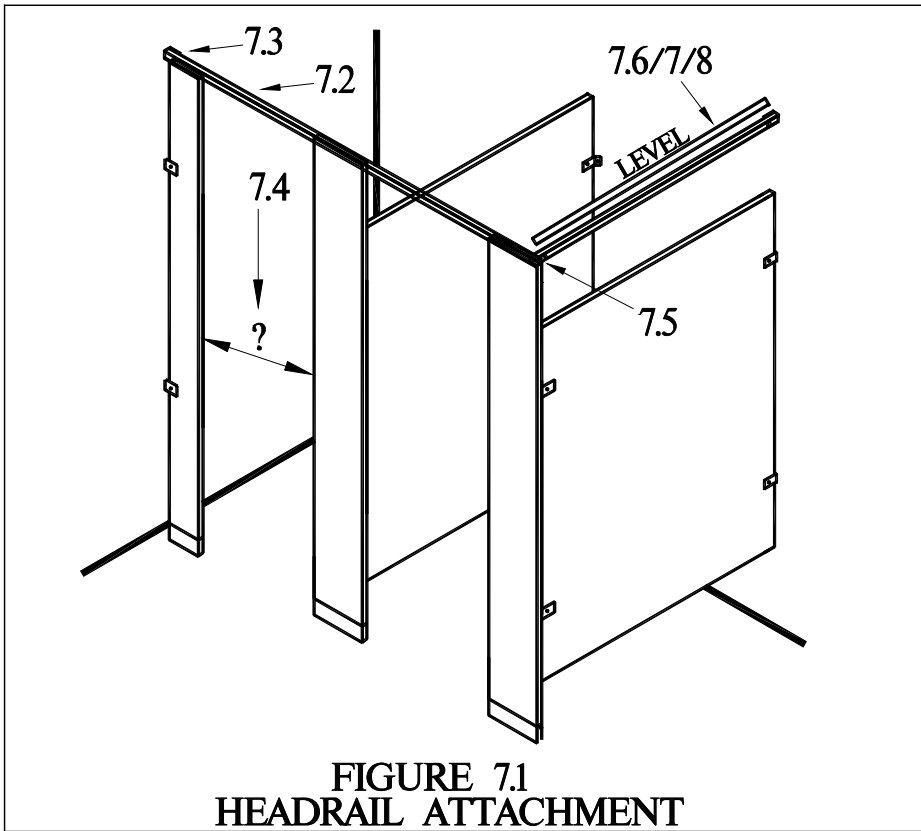
**FIGURE 6.2
PILASTER BRACKET LOCATION**

SEE SHOP DRAWINGS FOR DISTANCE BETWEEN
PILASTERS BEFORE FASTENING PILASTERS TO FLOOR.

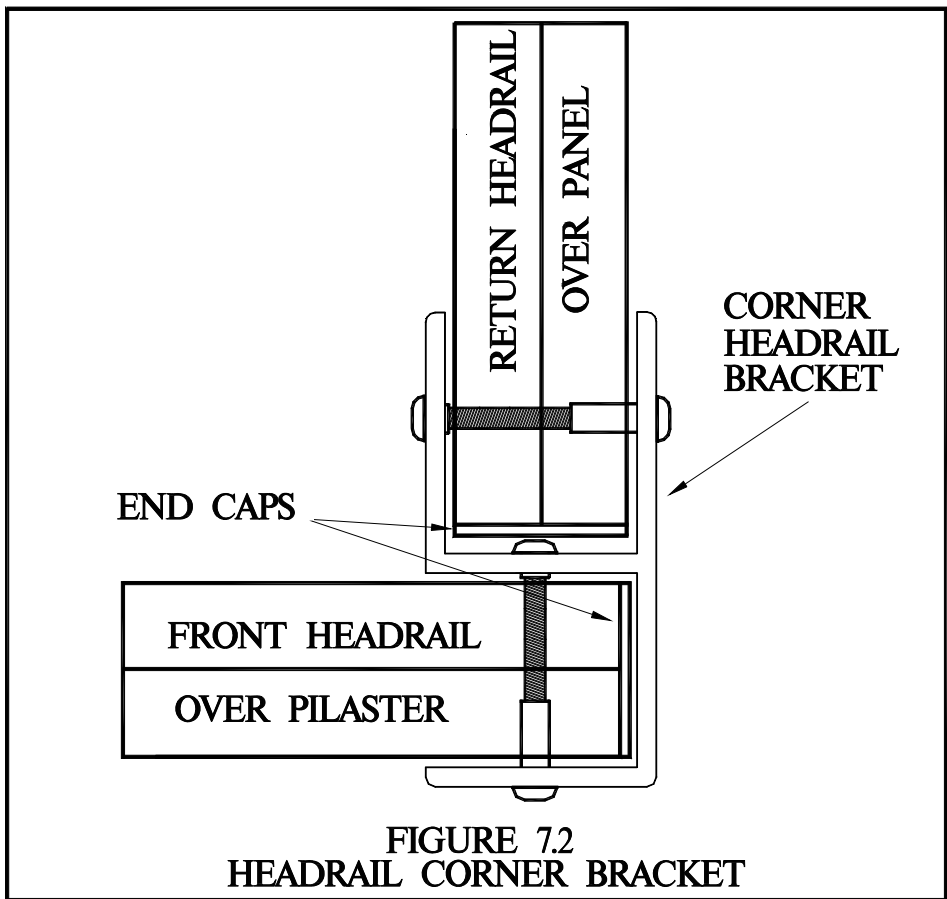
7 INSTALL THE HEADRAIL

- 7.1 Measure and cut the front headrail to the appropriate length. For large openings, cut the headrail as long as possible with the cut in the center of a pilaster.
- 7.2 Lay the headrail on top of the pilasters and using the headrail bracket as a template drill the wall and mount the bracket with supplied fasteners.
- 7.3 Drill a ¼" hole through the headrail bracket, headrail and the wall-pilaster. Secure with a ¾" bolt (FA-901) and 15/16" barrel (FA-952).
- 7.4 For each pilaster, measure and mark the door opening width according to shop drawings. Drill a ¼" hole into the headrail and the pilaster. Secure with a ¾" screw (FA-806). See the notes to determine how many holes to drill.
- 7.5 For in-corner and free-standing configurations place an end-cap and a corner headrail bracket onto the end of the headrail. Drill a ¼" hole through the headrail bracket, headrail and pilaster. Secure with a ¾" bolt (FA-901) and 15/16" barrel (FA-952).
- 7.6 Measure from the top of the panel to the bottom of the corner headrail bracket.
- 7.7 Measure, mark and secure a headrail bracket on the wall at the height measured in step 7.6.
- 7.8 Measure from the back wall to the corner headrail bracket. Cut a piece of headrail to fit between the two brackets. Drill a 5/16" hole into the headrail and bracket and secure with ¾" screws (FA-806).

Pilaster Size	# Screws	Location
< 7"	1	Centered
8" – 13"	2	2" from each end
> 14"	3	2" from each end and one centered



**FIGURE 7.1
HEADRAIL ATTACHMENT**

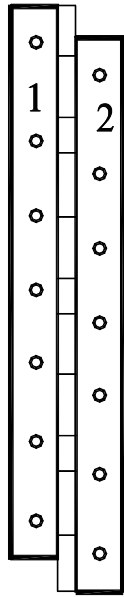


**FIGURE 7.2
HEADRAIL CORNER BRACKET**

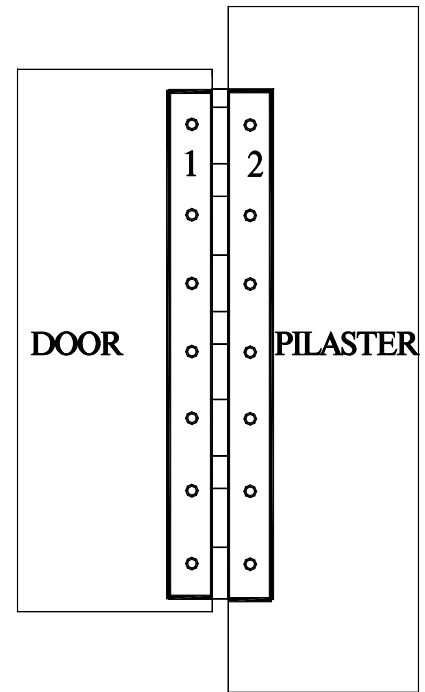
8 ATTACH THE DOORS

- 8.1 Secure part 1 of the hinge onto the door with $\frac{3}{4}$ " screws (FA-806). Use only the middle five holes. The top and bottom holes will be used to anchor the cover plate using $\frac{3}{4}$ " screws (FA-806). (See fig. 8.2)
- 8.2 Secure part 2 of the hinge with the door attached to the pilaster with $\frac{3}{4}$ " screws (FA-806). Use only the middle five holes. The top and bottom holes will be used to anchor the cover plate using $\frac{3}{4}$ " screws (FA-806). (See fig. 8.2)

**FIGURE 8.1
HINGE DETAIL**



**FIGURE 8.2
HINGE DETAIL**



Notes:

- Part one of the hinge is the part that rises.
- For the best installation place the barrel through the hinge.
- On inswing doors the hinge is located on the inside of the stall. On outswing doors the hinge is located on the outside of the stall.
- A right hand inswing hinge (AL-956) is also a left hand outswing hinge. A left hand inswing hinge (AL-955) is also a right outswing hinge.
- If the hinge drops down when attached to the door the wrong hinge is attached.

9 ATTACH THE DOOR HARDWARE

9.1 Mark the keeper position on the Pilasters.

9.1.1 For surface mounted latches, measure and mark the center of the keeper 41" above the finished floor.

9.2 Using the keeper as a template, mark and drill ¼" holes through the pilaster. Secure the keepers using ¾" bolts (FA-901) and 15/16" barrels (FA-952).

9.3 Mount the door latch. Position the surface mounted latches on the inside of the door so the latch clears the keeper when the door opens. Using the latch as a template, mark and drill ¼" holes through the door.

9.3.1 For inswing doors, secure the latch with ¾" bolts (FA-901) and 15/16" barrels (FA-952).

9.3.2 For outswing doors secure the latch to the door pull with 1-1/2" bolts (FA-110).

9.4 Mount the coat hook / bumper

9.4.1 For inswing doors place the coat hook / bumper 4" from the top and outer edge. Mark and pre-drill 1/8" holes in the door. (Do not drill all the way through). Secure the coat hook / bumper to the inside of the door with 5/8" screws (FA-305).

9.4.2 For outswing doors center the coat hook 4" from the top. Mark and pre-drill 1/8" holes in the door. (Do not drill all the way through). Secure the coat hook with 5/8" screws (FA-305).

9.4.3 For ADA doors see local specifications for coat hook placement. (usually 48" from the finished floor)

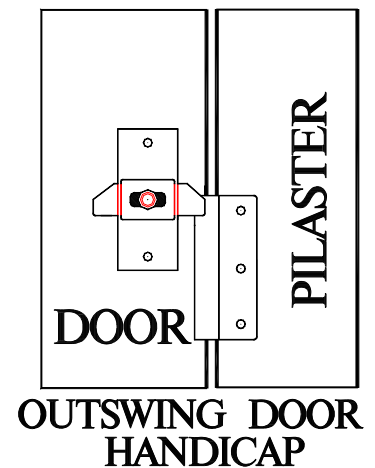
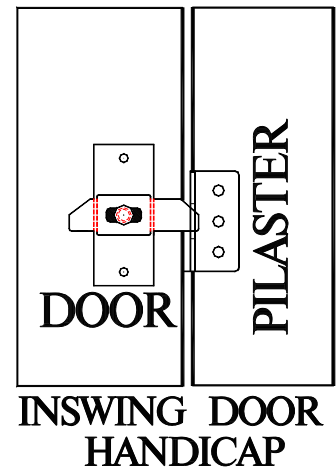
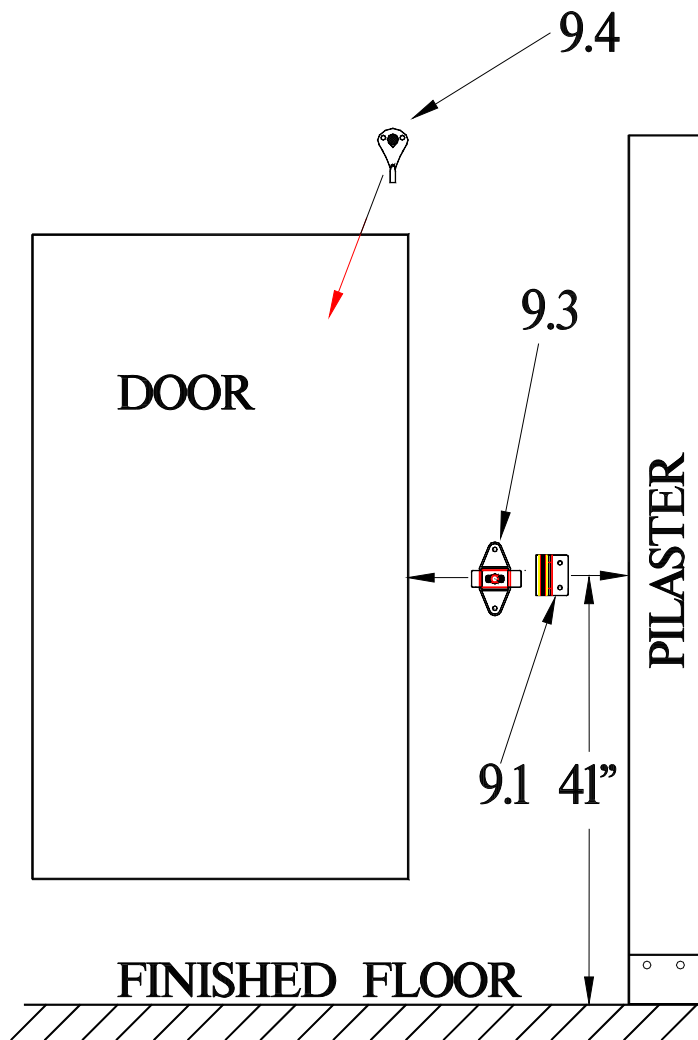


FIGURE 9.1
DOOR HARDWARE ATTACHMENT

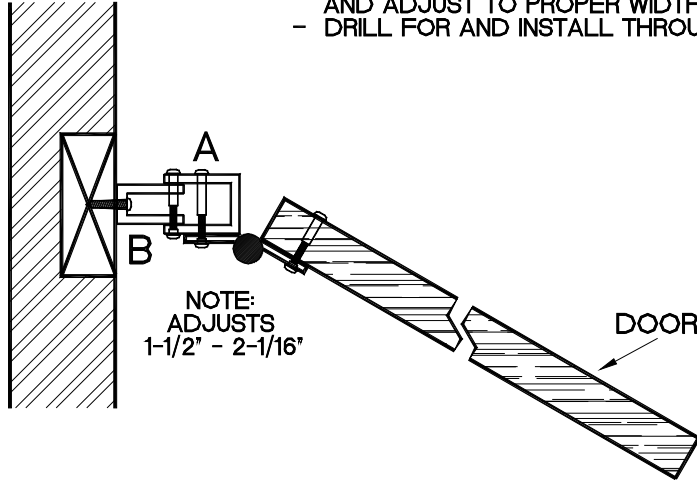
Notes

- For ADA and emergency access doors mount the latch near the top of the keeper so that when in the latched position the door can be lifted and opened.

10 ADJUSTABLE ALUMINUM PILASTERS

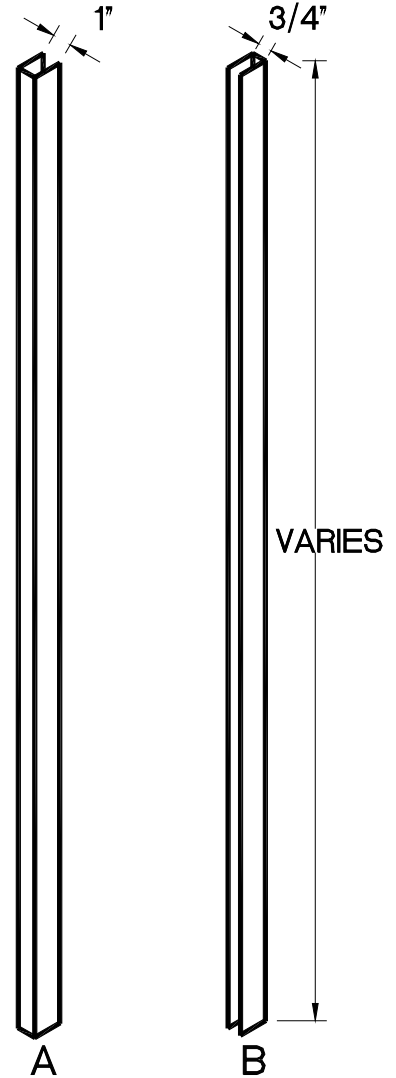
INSTALLATION INSTRUCTIONS:

- MOUNT PIECE 'B' TO WALL
14" ABOVE FINISHED FLOOR.
- PLACE PIECE 'A' OVER PIECE 'B'
AND ADJUST TO PROPER WIDTH.
- DRILL FOR AND INSTALL THROUGH-BOLTS.




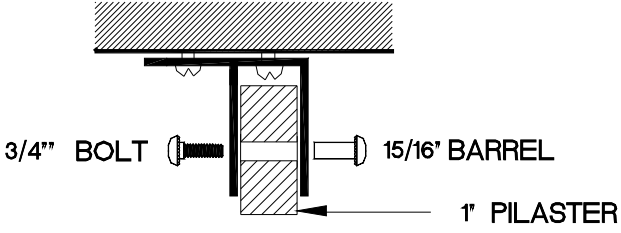
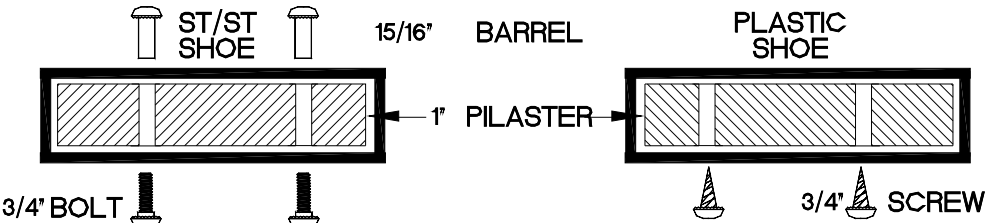

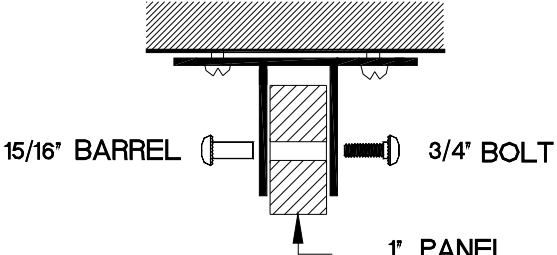

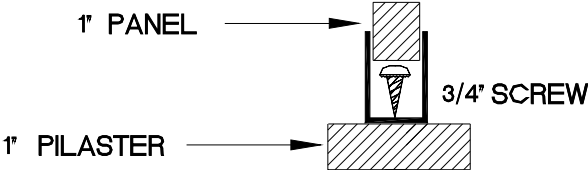

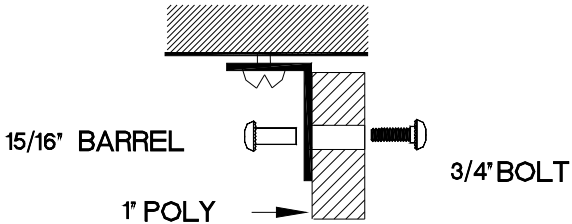

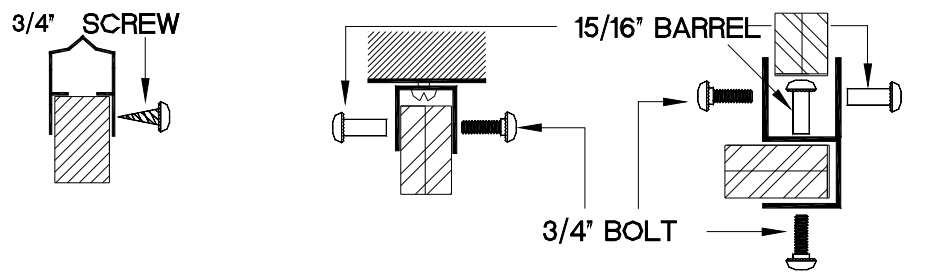
3/4" - 1" ADJUSTABLE	
(7) 1-1/2" ANCHORS	FA-400
(7) 1-1/2" SCREWS	FA-801
(5) 3/4" BOLTS	FA-901
(5) 15/16" BARRELS	FA-952

NOTE: EA. 1" ADJUSTABLE PILASTER
RECEIVES THE ABOVE HOWE.



ADJUSTABLE ALUMINUM PILASTER
FIGURE 10.1

11 BOLT AND BARREL SIZES

<p>PILASTER BRACKETS</p> 	 <p>3/4" BOLT</p> <p>15/16" BARREL</p> <p>1" PILASTER</p>
<p>SHOES</p>	 <p>ST/ST SHOE</p> <p>15/16" BARREL</p> <p>PLASTIC SHOE</p> <p>1" PILASTER</p> <p>3/4" BOLT</p> <p>3/4" SCREW</p>
<p>PANEL BRACKETS</p> 	 <p>15/16" BARREL</p> <p>3/4" BOLT</p> <p>1" PANEL</p>
<p>PANEL TO PILASTER BRACKETS</p> 	 <p>1" PANEL</p> <p>3/4" SCREW</p> <p>1" PILASTER</p>
<p>ANGLE BRACKETS</p> 	 <p>15/16" BARREL</p> <p>3/4" BOLT</p> <p>1" POLY</p>
<p>HEADRAIL BRACKETS + HEADRAIL</p> 	 <p>3/4" SCREW</p> <p>15/16" BARREL</p> <p>3/4" BOLT</p> <p>HR TO WALL BRACKET</p> <p>CORNER HR BRACKET</p>



PSiSC
PARTITION SYSTEMS **INCORPORATED** OF SOUTH CAROLINA

803-252-3020

www.psisc.com

© 2009 by Partition Systems Incorporated of South Carolina (PSISC ®)

Copyright 2009